

## CHAPTER 7. CHASSIS

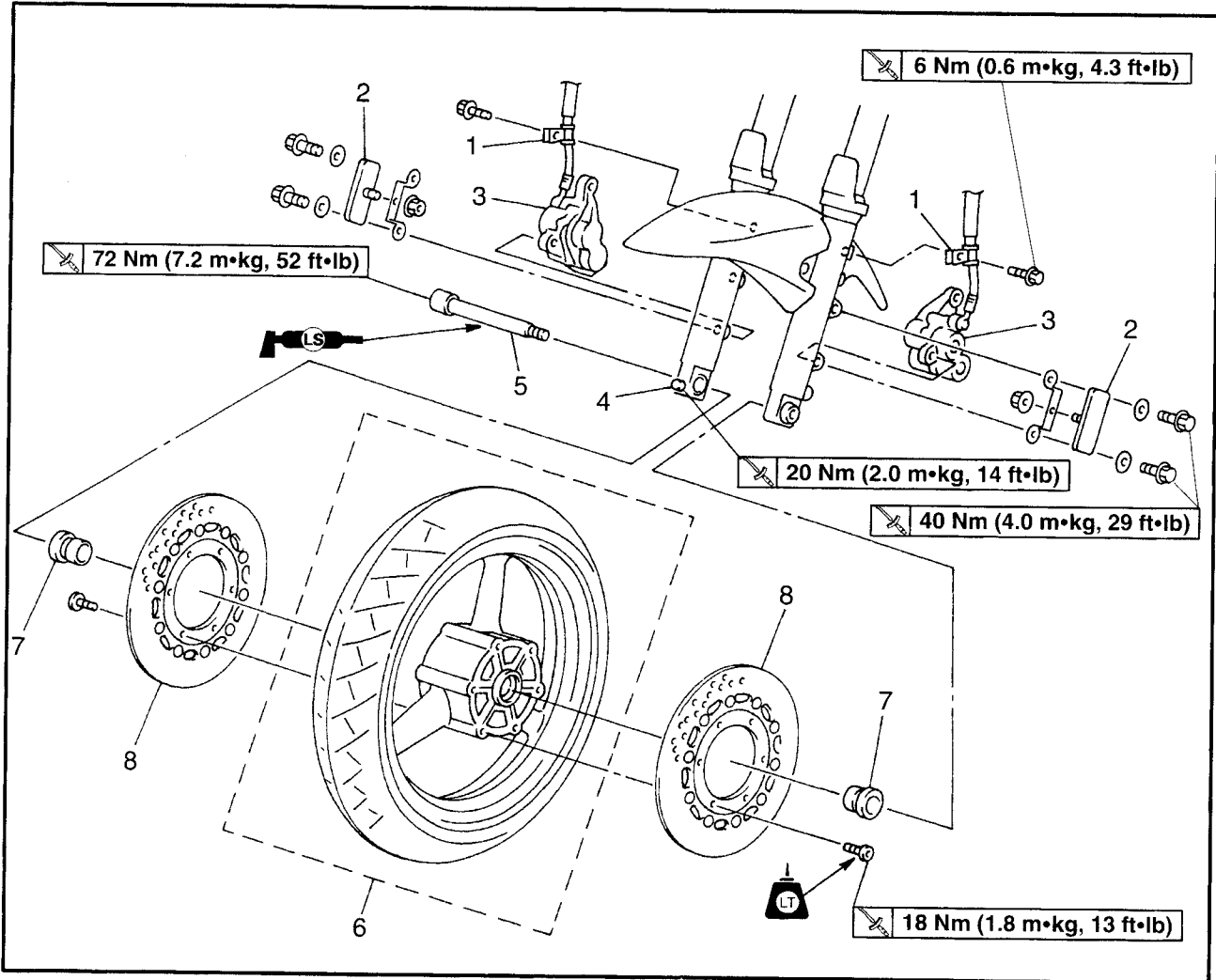
<b>FRONT WHEEL AND BRAKE DISCS</b> .....	7-1
REMOVING THE FRONT WHEEL .....	7-3
CHECKING THE FRONT WHEEL .....	7-3
CHECKING THE BRAKE DISCS .....	7-5
INSTALLING THE FRONT WHEEL .....	7-6
ADJUSTING THE FRONT WHEEL STATIC BALANCE .....	7-6
<b>REAR WHEEL, BRAKE DISC, AND REAR WHEEL SPROCKET</b> ....	7-8
REAR WHEEL .....	7-8
BRAKE DISC AND REAR WHEEL SPROCKET .....	7-9
REMOVING THE REAR WHEEL .....	7-11
CHECKING THE REAR WHEEL .....	7-11
CHECKING THE REAR WHEEL DRIVE HUB .....	7-12
CHECKING AND REPLACING THE REAR WHEEL SPROCKET .	7-12
INSTALLING THE REAR WHEEL .....	7-13
ADJUSTING THE REAR WHEEL STATIC BALANCE .....	7-13
<b>FRONT AND REAR BRAKES</b> .....	7-14
FRONT BRAKE PADS .....	7-14
REAR BRAKE PADS .....	7-15
REPLACING THE FRONT BRAKE PADS .....	7-16
REPLACING THE REAR BRAKE PADS .....	7-18
FRONT BRAKE MASTER CYLINDER AND BRAKE FLUID RESERVOIR .....	7-21
REAR BRAKE MASTER CYLINDER AND BRAKE FLUID RESERVOIR .....	7-24
REMOVING THE FRONT BRAKE MASTER CYLINDER .....	7-26
REMOVING THE REAR BRAKE MASTER CYLINDER .....	7-26
CHECKING THE FRONT AND REAR BRAKE MASTER CYLINDERS .....	7-26
INSTALLING THE FRONT BRAKE MASTER CYLINDER .....	7-27
INSTALLING THE REAR BRAKE MASTER CYLINDER .....	7-29
FRONT BRAKE CALIPERS .....	7-31
REAR BRAKE CALIPER .....	7-33
REMOVING THE FRONT BRAKE CALIPERS .....	7-35
REMOVING THE REAR BRAKE CALIPER .....	7-36
CHECKING THE FRONT AND REAR BRAKE CALIPERS .....	7-37
INSTALLING THE FRONT BRAKE CALIPERS .....	7-38
INSTALLING THE REAR BRAKE CALIPER .....	7-40

<b>FRONT FORK</b> .....	7-42
REMOVING THE FRONT FORK LEGS .....	7-45
DISASSEMBLING THE FRONT FORK LEGS .....	7-45
CHECKING THE FRONT FORK LEGS .....	7-47
ASSEMBLING THE FRONT FORK LEGS .....	7-48
INSTALLING THE FRONT FORK LEGS .....	7-53
<b>HANDLEBARS</b> .....	7-54
REMOVING THE HANDLEBARS .....	7-56
CHECKING THE HANDLEBARS .....	7-56
INSTALLING THE HANDLEBARS .....	7-57
<b>STEERING HEAD</b> .....	7-59
LOWER BRACKET .....	7-59
REMOVING THE LOWER BRACKET .....	7-61
CHECKING THE STEERING HEAD .....	7-61
INSTALLING THE STEERING HEAD .....	7-62
<b>REAR SHOCK ABSORBER ASSEMBLY</b> .....	7-64
HANDLING THE REAR SHOCK ABSORBER AND GAS CYLINDER .....	7-65
DISPOSING OF A REAR SHOCK ABSORBER AND GAS CYLINDER .....	7-65
REMOVING THE REAR SHOCK ABSORBER ASSEMBLY .....	7-66
CHECKING THE REAR SHOCK ABSORBER ASSEMBLY AND GAS CYLINDER .....	7-66
CHECKING THE RELAY ARM AND CONNECTING ARM .....	7-67
INSTALLING THE REAR SHOCK ABSORBER ASSEMBLY .....	7-67
<b>SWINGARM AND DRIVE CHAIN</b> .....	7-68
CHECKING THE SWINGARM .....	7-70
REMOVING THE DRIVE CHAIN .....	7-70
REMOVING THE SWINGARM .....	7-71
CHECKING THE DRIVE CHAIN .....	7-73
INSTALLING THE SWINGARM .....	7-75
INSTALLING THE DRIVE CHAIN .....	7-75

EAS00514

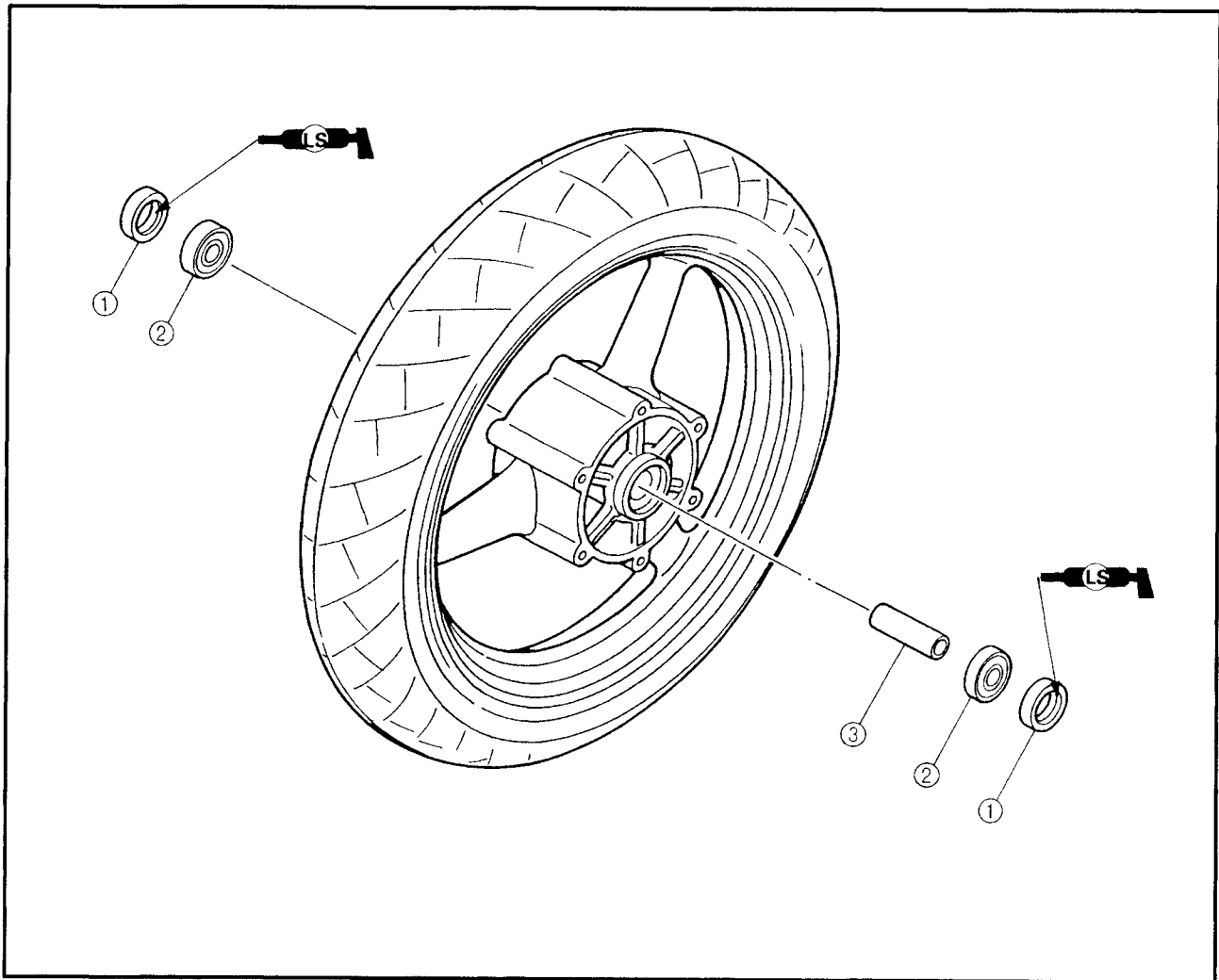
**CHASSIS**

**FRONT WHEEL AND BRAKE DISCS**



Order	Job/Part	Q'ty	Remarks
	<b>Removing the front wheel and brake discs</b>		Remove the parts in the order listed.
			<b>NOTE:</b> _____ Place the motorcycle on a suitable stand so that the front wheel is elevated.
1	Brake hose holders (left and right)	2	] Refer to "REMOVING/INSTALLING THE FRONT WHEEL".
2	Front reflectors (left and right)	2	
3	Brake calipers (left and right)	2	
4	Wheel axle pinch bolt	1	
5	Front wheel axle	1	Loosen
6	Front wheel	1	] Refer to "REMOVING/INSTALLING THE FRONT WHEEL".
7	Collars (left and right)	2	
8	Brake discs (left and right)	2	For installation, reverse the removal procedure.

EAS00518



Order	Job/Part	Q'ty	Remarks
	<b>Disassembling the front wheel</b>		
①	Oil seals (left and right)	2	Remove the parts in the order listed.  For assembly, reverse the disassembly procedure.
②	Wheel bearings (left and right)	2	
③	Spacer	1	



EAS00521

**REMOVING THE FRONT WHEEL**

1. Stand the motorcycle on a level surface.

**⚠ WARNING**

Securely support the motorcycle so that there is no danger of it falling over.

**NOTE:**

Place the motorcycle on a suitable stand so that the front wheel is elevated.

2. Remove:

- Brake hose holders
- front reflectors
- left brake caliper
- right brake caliper
- wheel axle

**NOTE:**

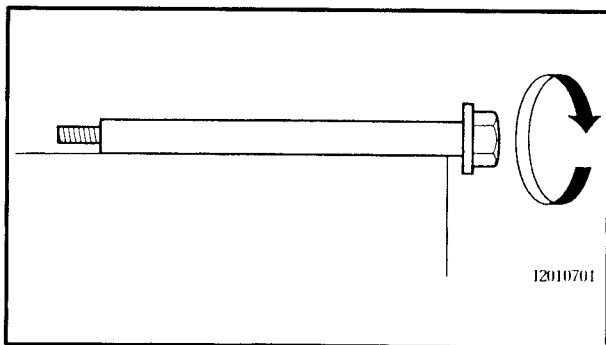
Do not squeeze the brake lever when removing the brake calipers.

3. Elevate:

- front wheel

**NOTE:**

Place the motorcycle on a suitable stand so that the front wheel is elevated.



EAS00525

**CHECKING THE FRONT WHEEL**

1. Check:

- wheel axle  
Roll the wheel axle on a flat surface.  
Bends → Replace.

**⚠ WARNING**


Do not attempt to straighten a bent wheel axle.

2. Check:

- tire
- front wheel  
Damage/wear → Replace.  
Refer to "CHECKING THE TIRES" and "CHECKING THE WHEELS" in chapter 3.






	<p><b>Brake disc bolt</b>  <b>18 Nm (1.8 m•kg, 13 ft•lb)</b>  <b>LOCTITE®</b></p>
---	---

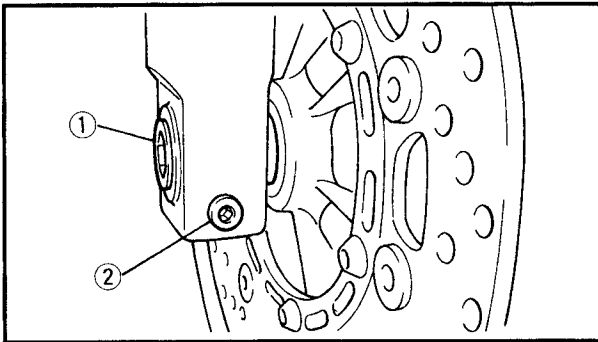
- d. Measure the brake disc deflection.
- e. If out of specification, repeat the adjustment steps until the brake disc deflection is within specification.
- f. If the brake disc deflection cannot be brought within specification, replace the brake disc.



EAS00545

**INSTALLING THE FRONT WHEEL**

- 1. Lubricate:
  - wheel axle
  - oil seal lips


	<p><b>Recommended lubricant</b>  <b>Lithium soap base grease</b></p>
---	--



- 2. Tighten:
  - wheel axle ①  **72 Nm (7.2 m•kg, 52 ft•lb)**
  - wheel axle pinch bolt ②  **20 Nm (2.0 m•kg, 14 ft•lb)**

**CAUTION:**

Before tightening the wheel axle nut, push down hard on the handlebars several times and check if the front fork rebounds smoothly.

- 3. Install:
  - brake calipers  **40 Nm (4.0 m•kg, 29 ft•lb)**
  - front reflectors
  - brake hose holders

**WARNING**

Make sure that the brake hose is routed properly.

EAS00549

**ADJUSTING THE FRONT WHEEL STATIC BALANCE**

**NOTE:**

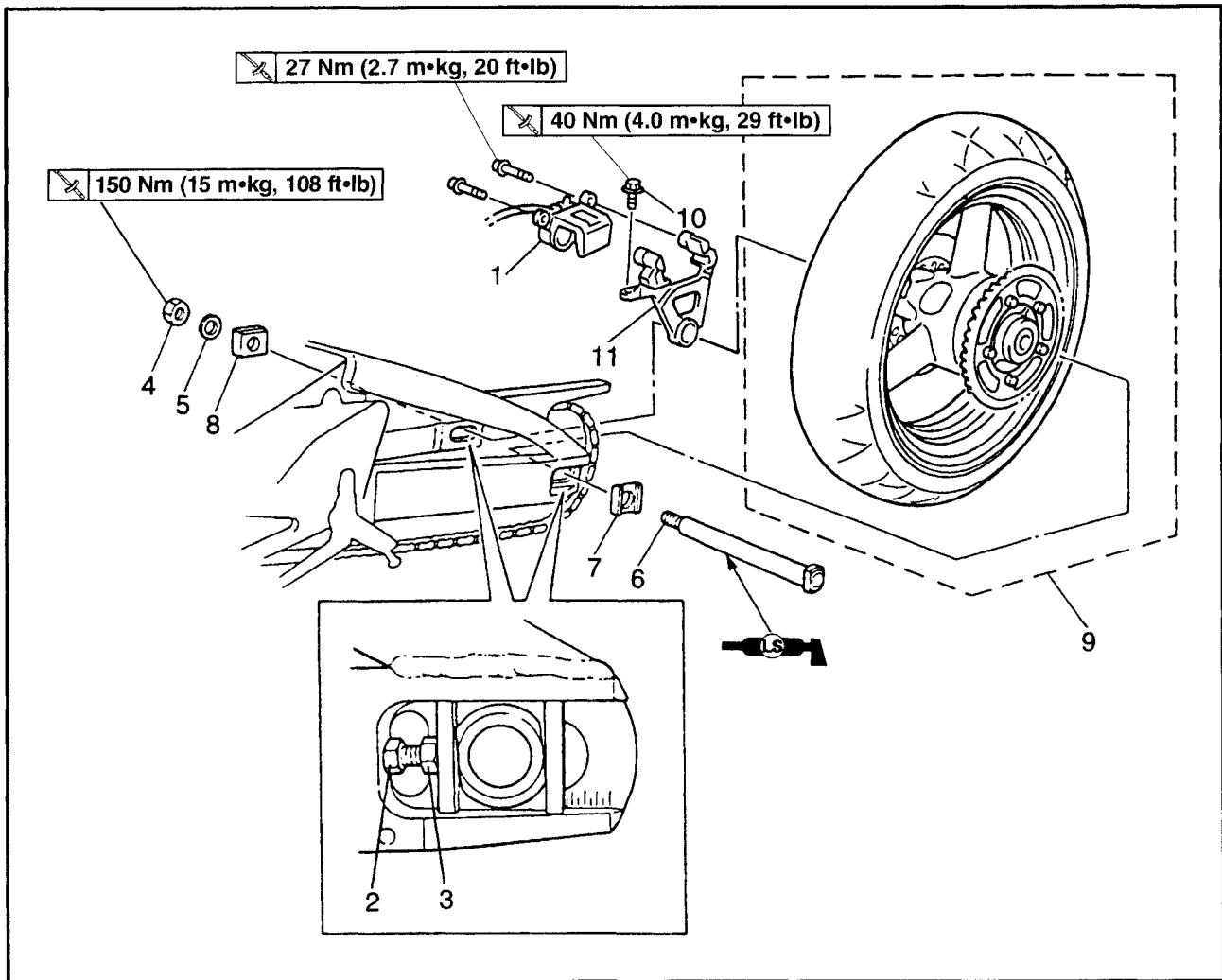
- After replacing the tire, wheel or both, the front wheel static balance should be adjusted.
- Adjust the front wheel static balance with the brake discs installed.





EAS00550

**REAR WHEEL, BRAKE DISC, AND REAR WHEEL SPROCKET**  
**REAR WHEEL**



Order	Job/Part	Q'ty	Remarks
	<b>Removing the rear wheel</b>		Remove the parts in the order listed. <b>NOTE:</b> _____ Place the motorcycle on a suitable stand so that the rear wheel is elevated.
1	Brake caliper	1	
2	Locknuts (left and right)	2	Loosen.
3	Adjusting bolts (left and right)	2	Loosen.
4	Wheel axle nut	1	
5	Washer	1	
6	Rear wheel axle	1	
7	Left adjusting block	1	
8	Right adjusting block	1	
9	Rear wheel	1	<b>NOTE:</b> _____ Make sure that the tapered side of the right adjusting block faces the wheel.
10	Brake caliper bracket bolt	1	
11	Brake caliper bracket	1	
			For installation, reverse the removal procedure.